

PRESSURE MANAGER



AUTOMATIC PUMP CONTROLLER

The Grundfos Pressure Managers PM1 and PM2 are intelligent pump controllers that make an excellent addition to your domestic pressure pump, providing control automation and ongoing protection.

PRESSURE MANAGER PM1

The PM1 will automatically start and stop the pump when outlets are turned on or off. The PM1 offers a basic level of pump protection, preventing dry-running and anti-cycling protection, which helps with detecting system leaks or dripping taps.

PRESSURE MANAGER PM2



The PM2 will automatically start and stop the pump when outlets are turned on or off. It includes the same pump protections as the PM1 but also has the option to prevent the pump from running continuously for more than 30 minutes.

The PM2 also offers a greater level of control, allowing the user to adjust the starting pressure.



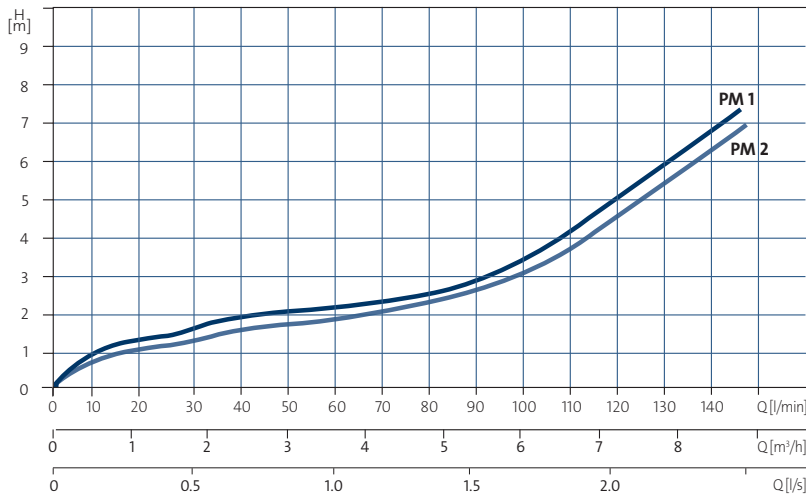
SCAN THE QR CODE TO LINK TO GRUNDFOS PRODUCT CENTER

PROTECTION & CONTROL

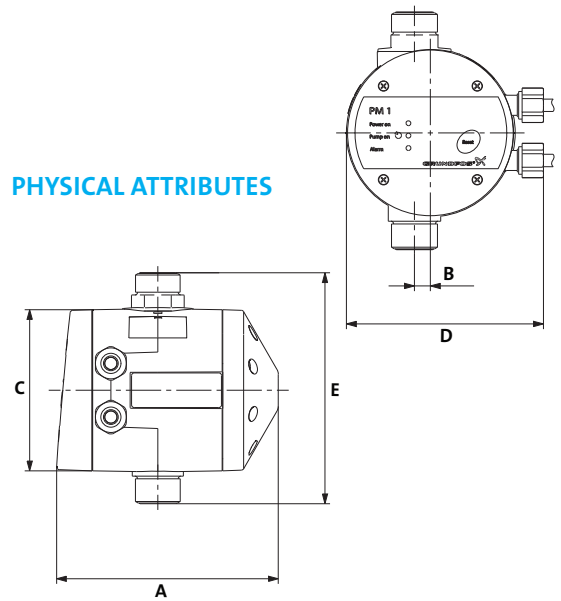
	 Pressure Manager PM1	 Pressure Manager PM2
Power On Indicator LED	✓	✓
Pump On Indicator LED	✓	✓
Alarm LED	✓	✓
Auto Start/Stop	✓	✓
Non-Return Valve	✓	✓
Dry Run Protection	✓	✓
Anti-Cycling Protection	✓	✓
Internal Pressure Tank		✓
Max. Continuous Run Time (30 Min.)		✓
Adjustable Start Pressure		✓
Pressure Indication		✓
Automatic Restart		✓

TECHNICAL & PERFORMANCE DATA

PRESSURE LOSS



PHYSICAL ATTRIBUTES



OPERATING CONDITIONS

Ambient Temperature	0°C to +50°C
Liquid Temperature	0°C to +40°C
Starting Pressure	PM1-1.5: 1.5 bar PM1-2.2: 2.2 bar PM2 1.5-5: 1.5 – 5 bar adjustable
System Pressure	Max. 10 bar

TECHNICAL DATA

Power Supply Voltage	PM1 - 220-240 Volt, 50/60 Hz – 10A Max PM2 - 220-240 Volt, 50/60 Hz – 10A Max
Enclosure Class	Undercover installation recommended (IP65)
Approvals and Markings	Approved for Drinking Water AS/NZS 4020

Model	Connections		Dimensions (mm)				
	Inlet	Outlet	A (l)	B (w)	C (h)	D (inlet)	E (outlet)
PM 1-1.5	1" Male	1" Male	165	12	120	143	171
PM 1-2.2	1" Male	1" Male	165	12	120	143	171
PM 2-1.5-5	1" Male	1" Male	175	12	120	143	171

Visit our Auckland or Rotorua Branch to have a chat about the Pressure Manager. Alternatively flick us a call or email, and we will get back to you ASAP.

Hi Flo Auckland Branch
3 Fairfax Avenue, Penrose, Auckland 1642
09 579 6375
Sales@hiflopumps.co.nz

Hi Flo Rotorua Branch
72 Old Taupo Road, Mangakakahi, Rotorua 3015
07 348 7516
Sales@hiflopumps.co.nz