

# ALPHA2 N

## MULTI-SPEED, STAINLESS STEEL HOT WATER CIRCULATOR



### WATER SOURCE



Hot Water

### APPLICATION



Hot Water  
Circulation



SCAN THE QR CODE  
TO LINK TO GRUNDFOS  
PRODUCT CENTER

The Grundfos ALPHA2 N is an intelligently controlled, ultra quiet, hot water circulation pump designed to circulate hot water around the home, making it instantly available for taps in the bathroom, kitchen or anywhere hot water is required.

- **Instant hot water at the tap** - As circulators provide instant hot water at the tap (with return line), they can save hundreds of litres per year from going down the drain while you wait for hot water to arrive from your hot water system
- **Energy efficient** - the AUTOADAPT feature “learns” the hot water consumption pattern of the home and then varies pump use accordingly in the future, providing superior levels of energy efficiency compared to other circulators that run continuously
- **Hygienic, stainless steel construction throughout**
- **Ultra quiet operation** – Very quiet operation that won't disturb your family



ALPHA2 N 25 mm Union Set  
available separately

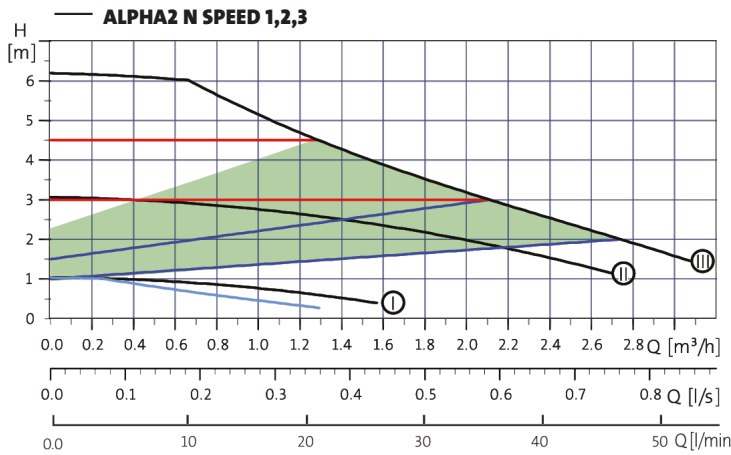


### PUMP SIZING

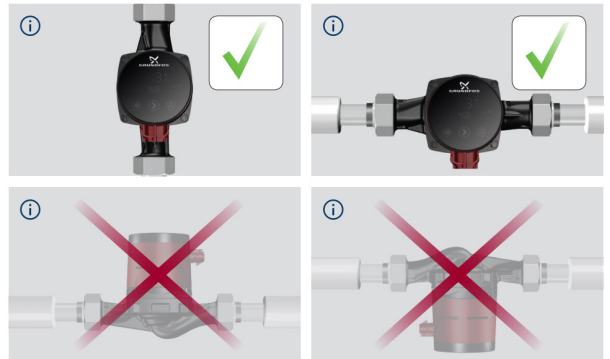
	ALPHA2 25-60
<b>Sizing assumptions:</b> <ul style="list-style-type: none"><li>• Uninsulated pipework</li><li>• Tempering valve installed</li><li>• 20 elbows and 10 tees</li><li>• 5°C temperature drop</li><li>• Electric storage hot water system</li></ul>	25 mm Pipework
	Maximum System Pipework Length
	110 m

# TECHNICAL & PERFORMANCE DATA

## PERFORMANCE CURVE



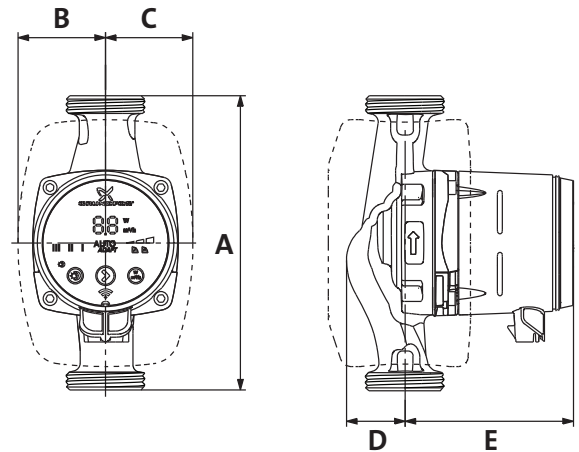
## INSTALLATION NOTES



## OPERATING CONDITIONS

Ambient Temperature	0°C to +40°C
Liquid Temperature	+2°C to +110°C
System Pressure	Max. 10 bar
Sound Pressure	Max. 43 dB

## PHYSICAL ATTRIBUTES



## TECHNICAL DATA

Power Supply Voltage	230 Volt, 50/60 Hz
Power Connection	Comes with Alpha plug Initial installation by qualified electrician
Enclosure Class	Undercover installation recommended (IPX4D)

Model	Motor Power P1 (kW)	Pipe Connections	Dimensions (mm)					Weight (kg)
			A (Port to Port)	B (w1)	C (w2)	D (d1)	E (d2)	
ALPHA2 25-60 N 130	0.03	1½"	130	54	54	37	104	2
ALPHA2 25-60 N 180	0.03	1½"	180	54	54	37	104	2

Visit our Auckland or Rotorua Branch to have a chat about the Alpha2 N Pump. Alternatively flick us a call or email, and we will get back to you ASAP.

**Hi Flo Auckland Branch**  
3 Fairfax Avenue, Penrose, Auckland 1642  
09 579 6375  
Sales@hiflopumps.co.nz

**Hi Flo Rotorua Branch**  
72 Old Taupo Road, Mangakakahi, Rotorua  
3015 07 348 7516  
Sales@hiflopumps.co.nz